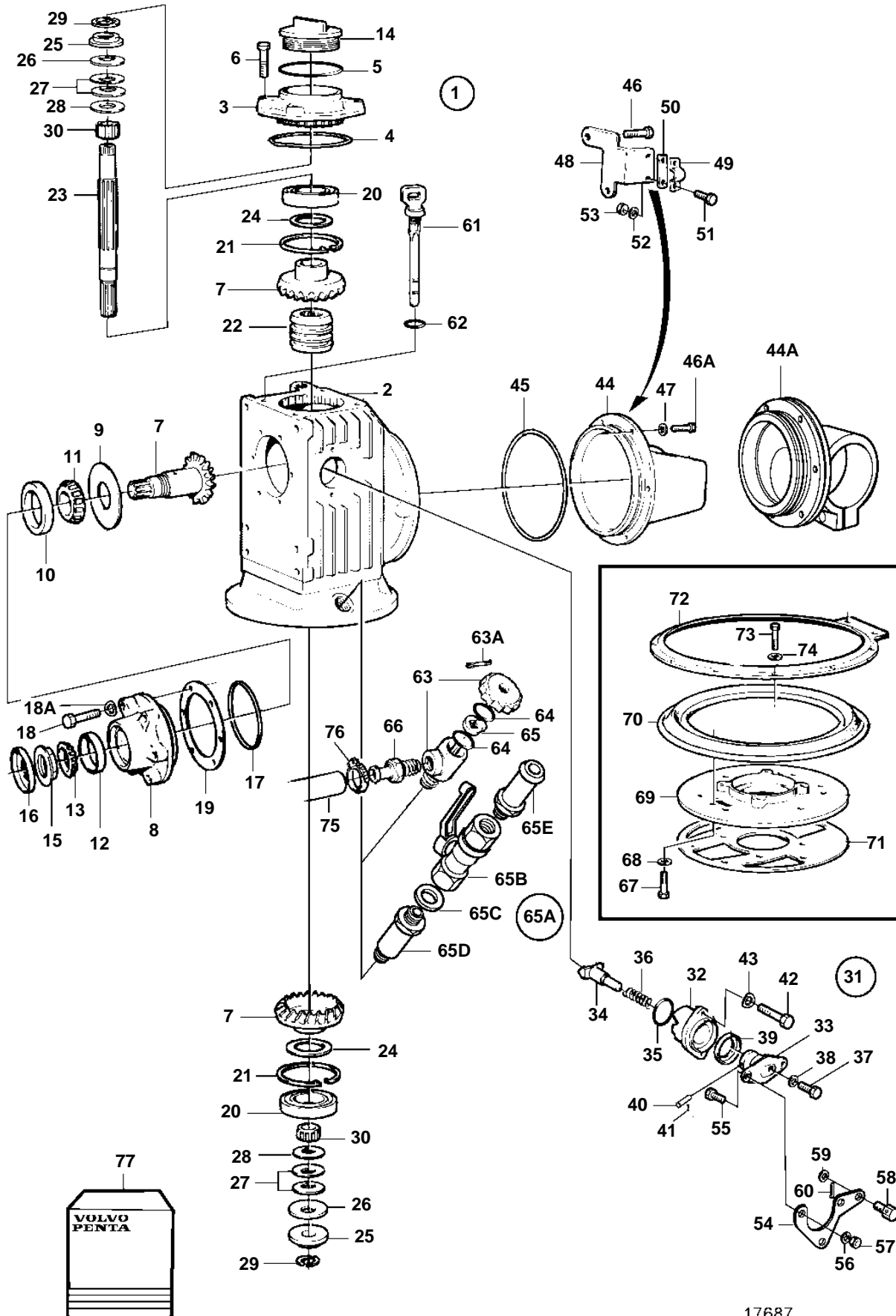


120S-D



17687

120S-D

REF	PART NO.	QTY	DESCRIPTION	NOTES
1	873104	1	Upper gear unit	REPL BY 3856830
	3856830	1	Upper gear unit	
2	873085	1	· Gear housing	REPL BY 3856831
	3856831	1	· Gear housing	
3	873123	1	· Cover	
4	949962	1	· O-ring	Included in gasket kit.
5	1664473	1	· O-ring	Included in gasket kit.
6	946671	4	· Flange screw	
	946470	4	· Flange screw	FOR 3856830 L=35mm
7	873095	1	· Gear set	
8	872710	1	· Bearing box	
9	851621	1	· Guide disc	
10	181302	1	· Cup	
11	181301	1	· Inner ring	
12	183750	1	· Cup	
13	183752	1	· Inner ring	
14	851754	1	· Oil filler cap	
15	852485	1	· Lock nut	
16	873094	1	· Sealing ring	Included in gasket kit.
17	925093	1	· O-ring	Included in gasket kit.
18	940101	6	· Screw	
18A	941906	6	· Spring washer	
19	851622	X	· Shim	TH = 0,10mm
	851623	X	· Shim	TH = 0.15mm
	851624	X	· Shim	TH=0.35mm
20	851756	2	· Bearing	
21	852190	2	· Lock ring	
22	873098	1	· Sliding sleeve	(851626)
23	873099	1	· Shaft	
24	852184	X	· Shim	TH=0,05mm
	84219	X	· Shim	TH = 0,10mm
	949776	X	· Shim	TH = 0.15mm
	84218	X	· Spacer	TH=0.35mm
25	852079	2	· Lock washer	
26	852213	2	· Disc spring	
27	852080	6	· Disc spring	
28	852311	2	· Washer	TH=0,40mm
	852317	2	· Washer	TH = 0,80mm
29	851629	4	· Lock ring half	
30	851757	2	· Needle bearing	
31	851661	1	· Shift mechanism	
32	851662	1	· · Bearing housing	
33	3856008	1	· · Eccentric piston	
34	851664	1	· · Dog	
35	949659	1	· · O-ring	(925065). Included in gasket kit.
36	814184	1	· · Spring	
37	897711	1	· · Screw	
38	897871	X	· · Shim	
39	853868	1	· · Sealing ring	(873291). Included in gasket kit.
40	942871	1	· · Pin	
41	973593	1	· · Pin	(951924)
42	955296	2	· Screw	
43	941907	2	· Spring washer	
44	873149	1	· Bracket	FOR 873104
44A	3857187	1	· Bracket	FOR 3856830
45	925262	1	· O-ring	Included in gasket kit.
46	945444	6	· Flange screw	FOR 873149
46A	946470	6	· Flange screw	FOR 3857187 L=35mm
47	955894	2	· Washer	
48	852074	1	· Cable attachment	FOR 873149
	852168	1	· Bracket	FOR 3857187
49	819067	1	· Brace	
50	819068	1	· Washer	

120S-D

REF	PART NO.	QTY	DESCRIPTION		NOTES
51	955246	2	· Screw		
52	940090	2	· Washer		
53	946577	2	· Lock nut		
54	852363	1	· Lever		
55	955270	2	· Screw		
56	955948	2	· Lock washer		
57	955781	2	· Nut		
58	3852329	1	· Cube		(804312)
59	955892	1	· Washer		
60	17276	1	· Cotter pin		
61	873087	1	· Oil dipstick		
62	925055	1	· O-ring		
63	851777	1	· Tap		
63A	949791	1	· · Cotter pin		
64	955989	2	· · O-ring		
65	851783	1	· · Lock washer		
65A			· · Tap		FOR 3856830
65B	1140097	1	· Ball valve		
65C	947626	1	· Gasket		
65D	873173	1	· Nipple		
65E	873317	1	· Nipple		
66	873088	1	· Nipple		
67	946541	3	· Screw		
68	941670	3	· Washer		
69	852719	1	· Intermediate section		
70		1	· Sealing strip	IK	Included in mounting kit 854934.
71	3856834	1	Gasket		(853892). Included in mounting kit 854934.. Included in complete drive.
72	873126	1	Clamping ring		Included in complete drive.
73	946730	10	Screw		Included in complete drive.
74	941670	10	Washer		Included in complete drive.
75		X	Hose		SEE GROUP 44
76		1	Hose clamp		SEE GROUP 44
77	876391	1	Gasket kit		SEE GROUP 99
	3856597	1	Mounting kit		SEE GROUP 99 (854934)